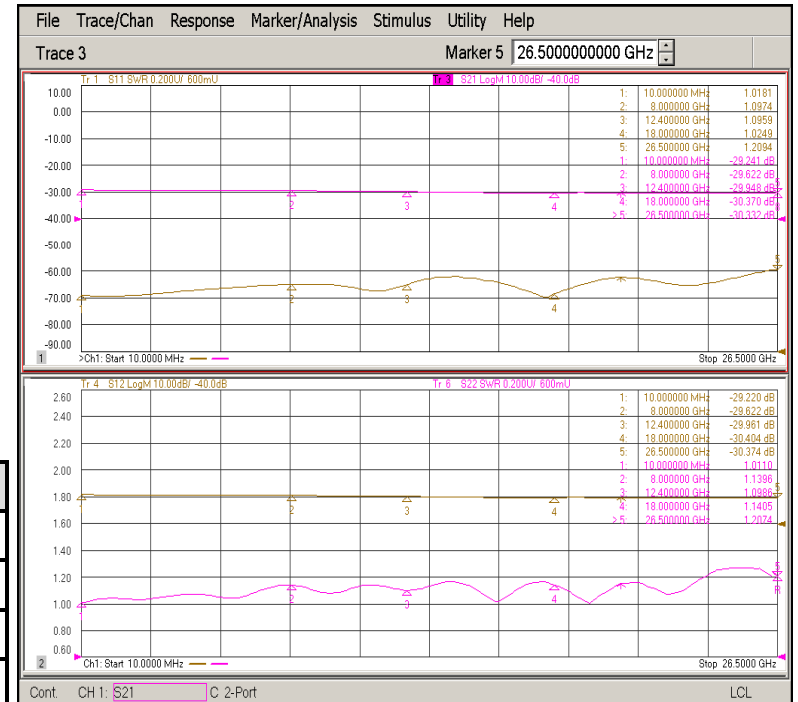
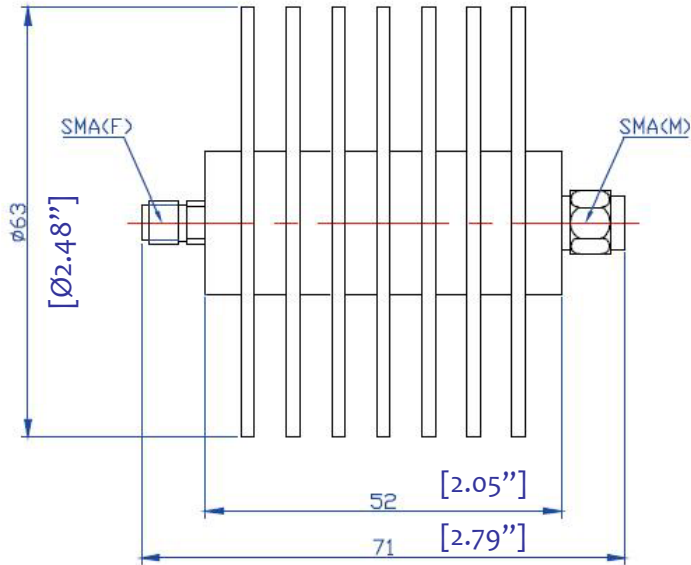


50W COAXIAL FIXED ATTENUATOR DC-26.5GHz


--- RFS50G26



1.0	Mechanical Specifications	
1.1	Connector	SMA(M,F)
1.2	Size	$\varnothing 63 \times 71\text{mm}$ (2.48" x 2.80")
1.3	Weight	120g
1.4	External Finish	Body painted with gray/black epoxy enamel

2.0	Environment specifications	
2.1	Operation Temp.	-40°C ~ +85°C
2.2	Storage Temp.	-55°C ~ +125°C
2.3	Altitude	42000 ft
2.4	Vibration	10g rms (15 degree 2KHz)
2.5	Humidity	100% RH at 35c, 95%RH at 40 deg c
2.6	Shock	20G for 11msc
2.7	Cooling	FAN required for long time operation

3.0 Electrical Specifications								
PN	Frequency (GHz)	VSWR (max.)	Attenuation Accuracy (dB)				Power (CW)	Peak Power (KW)
			10	20	30	40		
RFS50G26	DC-26.5GHz	1.25	+2.5/-1.0	+1.5/-1.0	+1.5/-1.0	+1.5/-1.0	50	1 (5us 0.4%)

PAGE 1 OF 1	DATE MAY 6 th 2000
PROPRIETARY INFORMATION THE INFORMATION CONTAINED IN THIS DOCUMENT IS THE PROPERTY OF RF-LAMBDA EXCEPT AS SPECIFICALLY AUTHORIZED IN WRITINGS BY RF-LAMBDA. THE HOLDER OF THIS DOCUMENT SHALL KEEP ALL INFORMATION CONTAINED HEREIN CONFIDENTIAL AND SHALL PROTECT SAME IN THE WHOLE OR IN PART FROM DISCLOSURE AND DISSEMINATION OF ALL THIRD PARTIES AND SHALL USE SAME FOR OPERATING AND MAINTENANCE PURPOSES ONLY	DESIGN RFPC
 RFS50G26 COAXIAL FIXED ATTENUATOR	RF-LAMBDA RFPC
www.rflambda.com	CAD MODEL REVISION 10
RF-LAMBDA	ASSEMBLY REVISION VSS2
SIZE LT	ASSEMBLY NAME RFLVR07
SHEETS 1 OF 1	DRAWING NUMBER D05-A