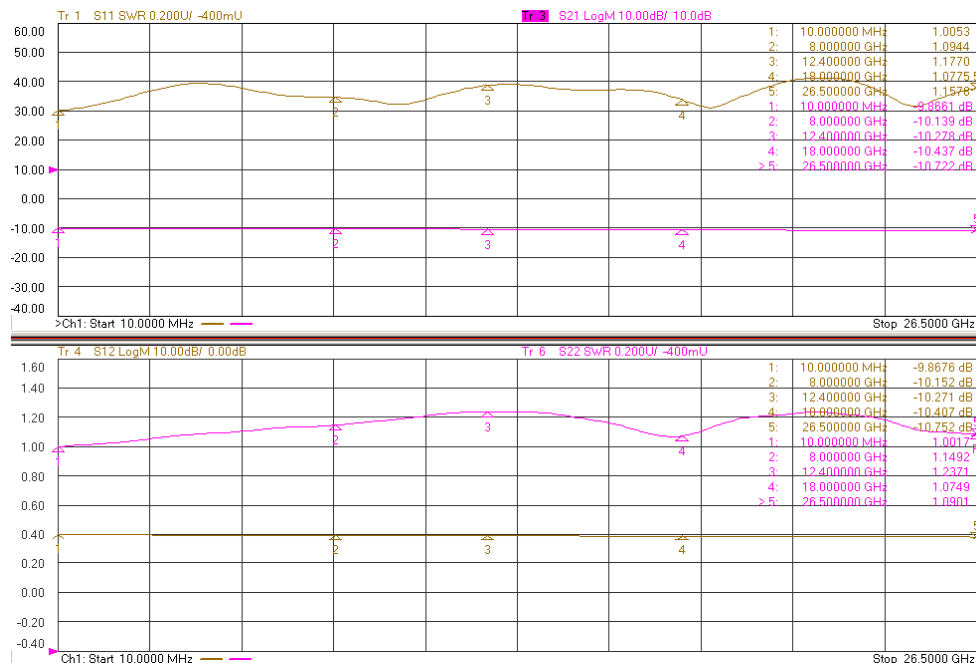
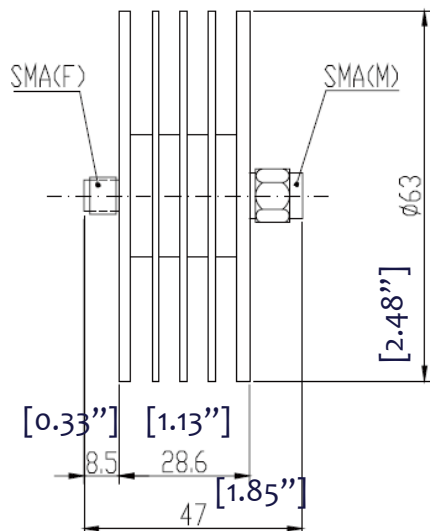


25W COAXIAL FIXED ATTENUATOR DC-26.5GHz


--- RFS25G26A



2.0 Environment specifications	
2.1 Operation Temp.	-40°C~+85°C
2.2 Storage Temp.	-55°C~+125°C
2.3 Altitude	42000 ft
2.4 Vibration	10g rms (15 degree 2KHz)
2.5 Humidity	100% RH at 35c, 95%RH at 40 deg c
2.6 Shock	20G for 11msc
2.7 Cooling	FAN required for long time operation

1.0 Mechanical Specifications	
1.1 Connector	3.5mm
1.2 Size	Ø2.48" × 1.85"
1.3 Weight	115g
1.4 External Finish	Body painted with gray/black epoxy enamel

3.0 Electrical Specifications								
PN	Frequency (GHz)	VSWR (max.)	Attenuation Accuracy (dB)				Power (CW)	Peak Power (KW)
			3~9	10	20	30		
RFS25G26A	DC-26.5GHz	1.30	±1.0	±1.0	±1.0	±1.0	25	1 (5us 2.5%)

PAGE 1 OF 1	DATE MAY 6 th 2000
<small>PROPRIETARY INFORMATION THE INFORMATION CONTAINED IN THIS DOCUMENT IS THE PROPERTY OF RF-LAMBDA EXCEPT AS SPECIFICALLY AUTHORIZED IN WRITING BY RF-LAMBDA. THE HOLDER OF THIS DOCUMENT SHALL KEEP ALL INFORMATION CONTAINED HEREIN CONFIDENTIAL AND SHALL PROTECT SAME IN THE WHOLE OR IN PART FROM DISCLOSURE AND DISSEMINATION OF ALL THIRD PARTIES AND SHALL USE SAME FOR OPERATING AND MAINTENANCE PURPOSES ONLY</small>	DESIGN RFPC
 RFS25G26A COAXIAL FIXED ATTENUATOR	RF-LAMBDA RFPC
	CAD MODEL REVISION 10
	ASSEMBLY REVISION VS52
	ASSEMBLY NAME RFLV07
www.rflambda.com	DRAWING NUMBER D05-A
RF-LAMBDA	SIZE LT SHEETS 1 OF 1