



Voltage Control Phase Shifter 2 - 8GHz

Features

- Wide Band Operation 2-8GHz
- 180° Phase Shift
- Low Insertion Loss and Low Phase Error
- Single Control Operation
- Customization available upon request



Electrical Specifications, TA = +25 °C

Description	PN:RVPT0208GAC									
	Voltage Control Phase Shifter									
Parameters	Min	Typ.	Max	Min	Typ.	Max	Min	Typ.	Max	Units
Frequency Range	2 ~ 8			8-11			11-20			GHz
Phase Range		180			180			180		deg
Phase Error		±10	±20		±10	±20		±10	±20	deg
Insertion Loss		5.5			7			10		dB
Insertion Loss Temperature Coefficient		0.1			0.1			0.1		dB/°C
Input VSWR		2.8			2.8			3		:1
Output VSWR		2.8			2.8			3		:1
0.1dB Compression Point (Po.1dB)		25			25			25		dBm
Control Voltage	0	10		0	10		0	10		V
current	10			10			10			mA
Impedance	50			50			50			Ω
Weight										ounces
Input / Output Connectors	SMA-Female									
Finish	Gold Plated									
Material	Aluminum									
Sealing	Hermetically Sealed (Optional)									

Voltage Control Phase Shifter 2 - 8GHz



Absolute Maximum Ratings

Control Voltage	0~ 15V
RF Input Power	+25dBm

Ordering Information

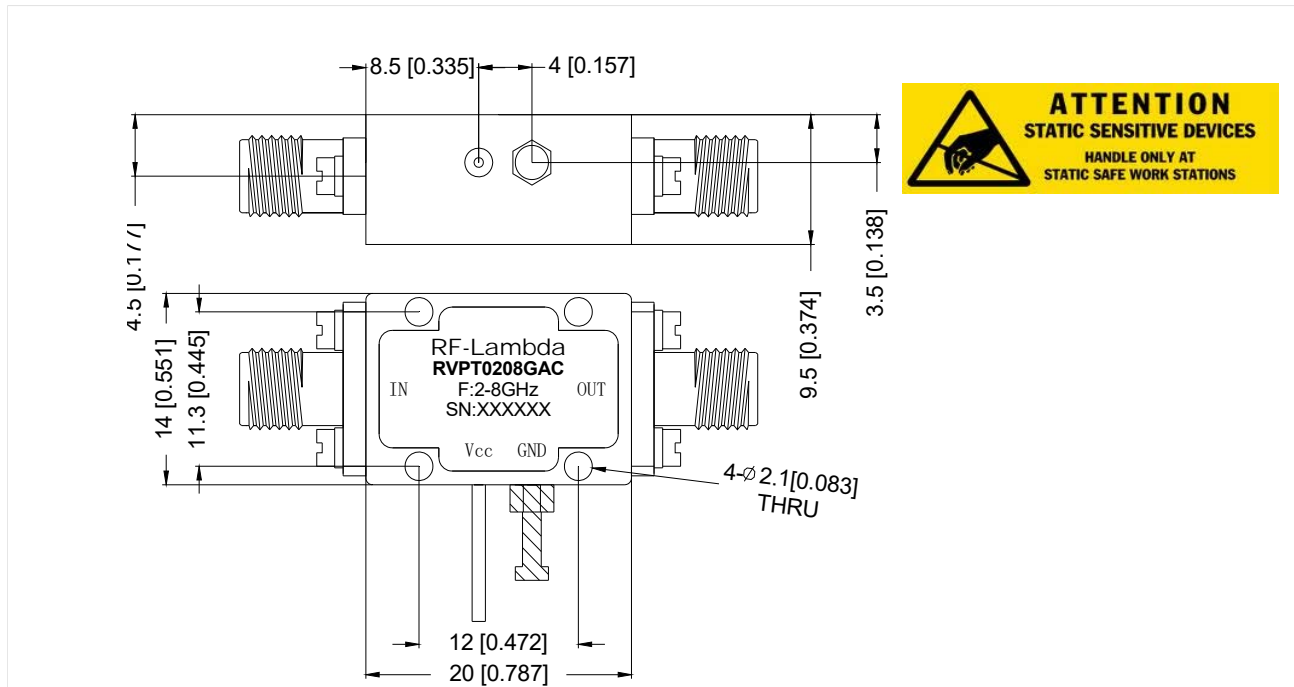
Part No.	ECCN	Description
RVPT0208GAC	EAR99	2-8GHz Voltage Control Phase Shifter

Environmental Specifications

Operational Temperature (°C)	-45 ~ +85
Storage Temperature (°C)	-50 ~ +125
Altitude	30,000 ft. (Epoxy Sealed Controlled environment)
	60,000 ft. 1.0psi min (Hermetically Sealed Un-controlled environment) (Optional)
Vibration	25g RMS (15 degrees 2KHz) endurance, 1 hour per axis
Humidity	100% RH at 35c, 95%RH at 40°C
Shock	20G for 11msec half sine wave, 3 axis both directions

Outline Drawing:

All Dimensions in mm [inches]



Voltage Control Phase Shifter 2 - 8GHz

Important Notice

The information contained herein is believed to be reliable. RF-Lambda makes no warranties regarding the information contained herein. RF-Lambda assumes no responsibility or liability whatsoever for any of the information contained herein. RF-Lambda assumes no responsibility or liability whatsoever for the use of the information contained herein. The information contained herein is provided "AS IS, WHERE IS" and with all faults, and the entire risk associated with such information is entirely with the user. All information contained herein is subject to change without notice. Customers should obtain and verify the latest relevant information before placing orders for RF-Lambda products. The information contained herein or any use of such information does not grant, explicitly or implicitly, to any party any patent rights, licenses, or any other intellectual property rights, whether with regard to such information itself or anything described by such information.

RF-Lambda products are not warranted or authorized for use as critical components in medical, life-saving, or life sustaining applications, or other applications where a failure would reasonably be expected to cause severe personal injury or death.