



AC 110V/220V 2W Q Band Power Amplifier 39GHz~48GHz

- High output power
- Aerospace and military application
- High Peak to average handle capability
- High Linearity and low noise figure
- All specifications can be modified upon request



Parameter	Min	Type	Max	Units
Frequency Range	39~48			GHz
Gain	30	32	36	dB
Input Return Loss	-18	-25	-50	dB
Output Return Loss	-12	-20	-30	dB
Output Power For 1dB Compression (P-1dB)		32		dBm
Saturated Power, Psat		33		dBc
Supply Current (Idd) (Vdd=+28V)		2		A
Power Supply		24		V
Isolation S12	60	65		dB
RF Input power		18dBm		dBm
Weight	365			g
Impedance	50			Ohms
Input /Output Connector	2.92-Female			
Finishing	Gold plating			
Material	Aluminum/copper			

AC 110V/220V 2W Power Amplifier 39GHz~48GHz



RF-LAMBDA

The power beyond expectations

RAMP41G46GA

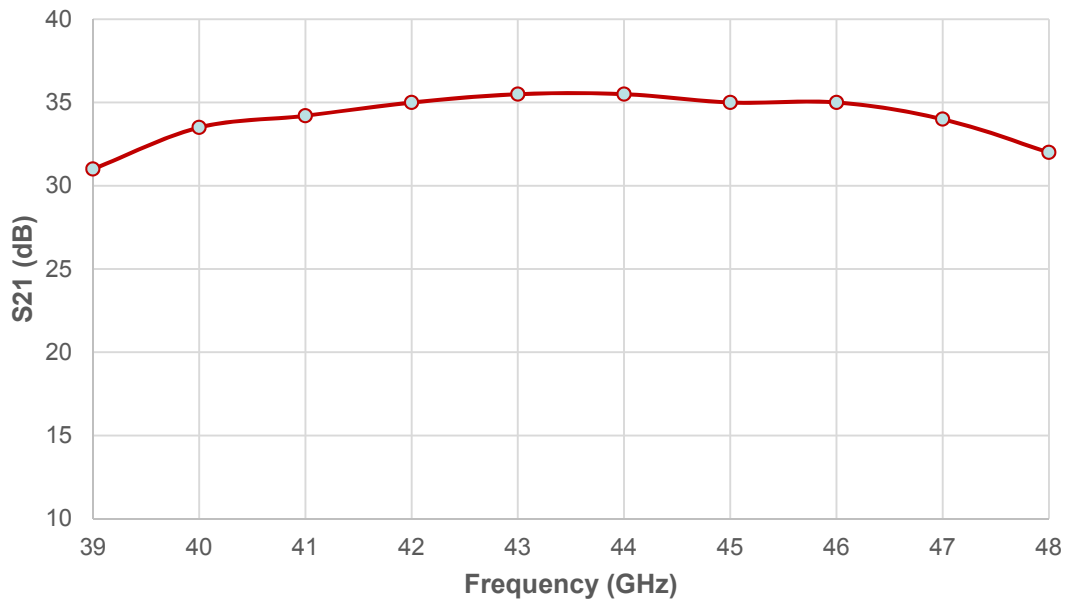
Absolute Maximum Ratings	
Biasing	110V /220V AC
Input continuous wave power	18dBm
Storage Temperature (C°)	-50 ~ +125

Ordering Information		
Part No	ECCN	Description
RAMP41G46GA		39GHz~48GHz Power Amplifier

Biasing Up Procedure	
Step 1	Connect input and output
Step 2	Connect Ground Pin
Step 3	Connect AC
Power OFF Procedure	
Step 1	Turn off AC
Step 2	Remove RF connection
Step 3	Remove Ground.

Environment specifications	
Operational Temperature (C°)	-45 ~ +85 (Case Temperature must be less than 85C all time)
Storage Temperature (C°)	-50 ~ +125
Altitude	30,000 ft (Controlled environment) 60,000 ft 1.0psi min (Hermetically Seal Un-controlled environment)
Vibration	35g rms (15 degree 2KHz)
Humidity	100% RH at 35c, 95%RH at 40 deg c
Shock	20G for 11msc

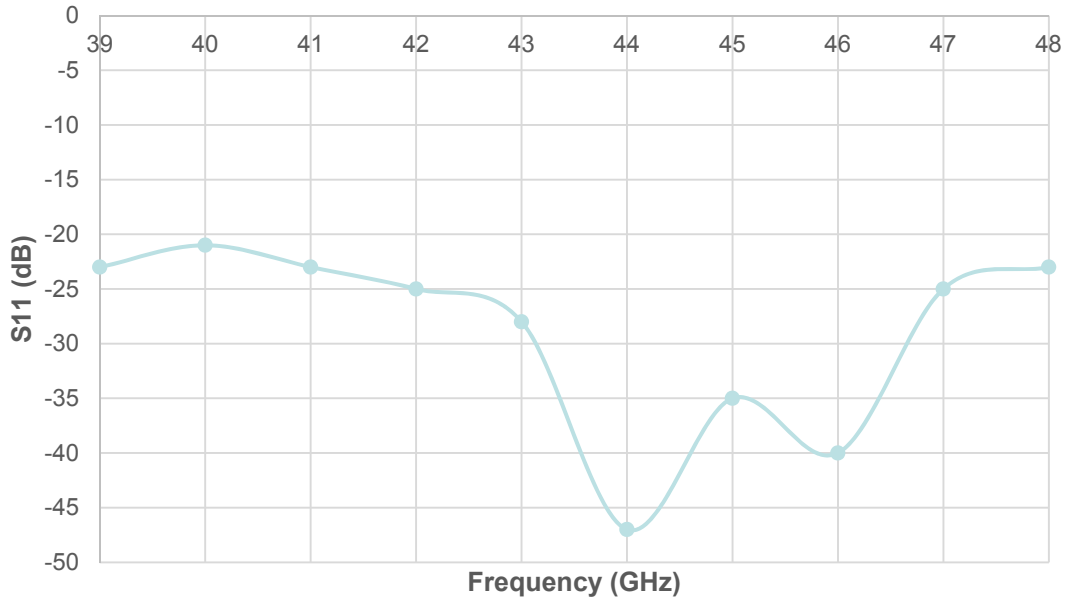
Gain vs Frequency



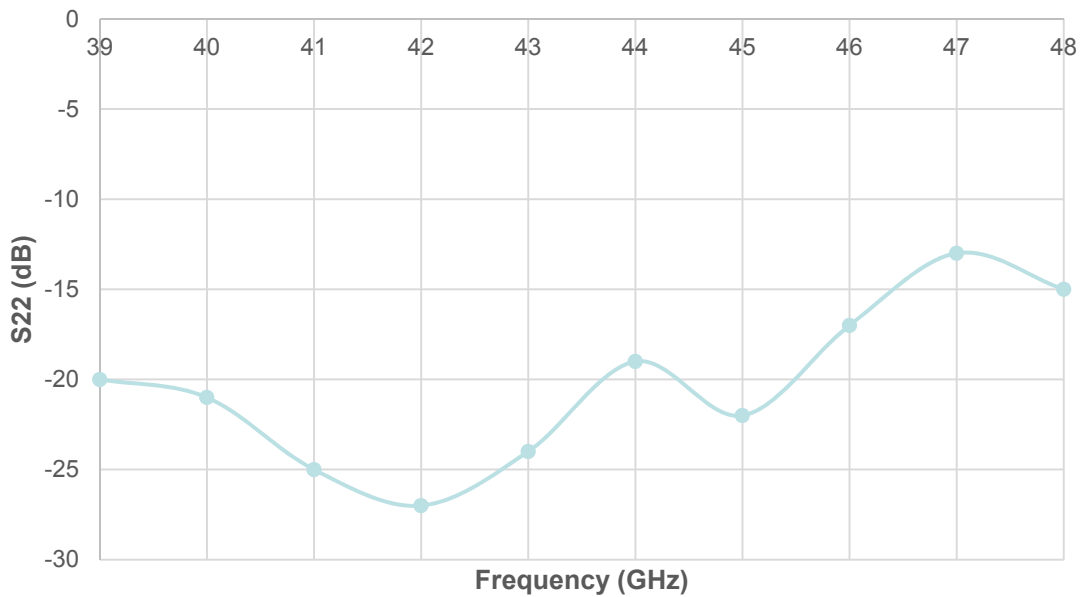
AC 110V/220V 2W Power Amplifier 39GHz~48GHz



S11 Vs Frequency



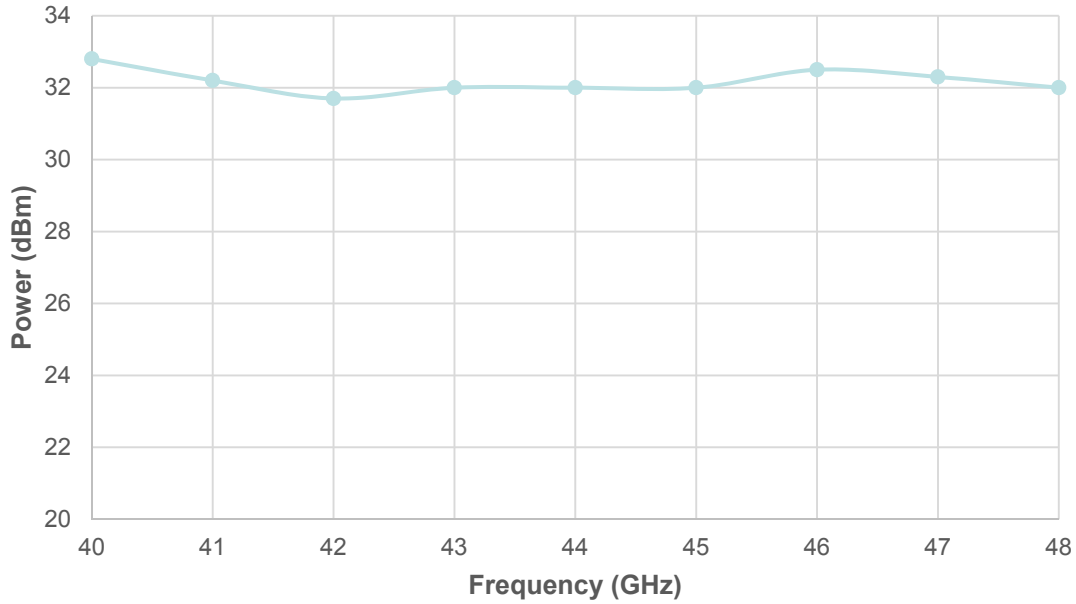
S22 Vs Frequency



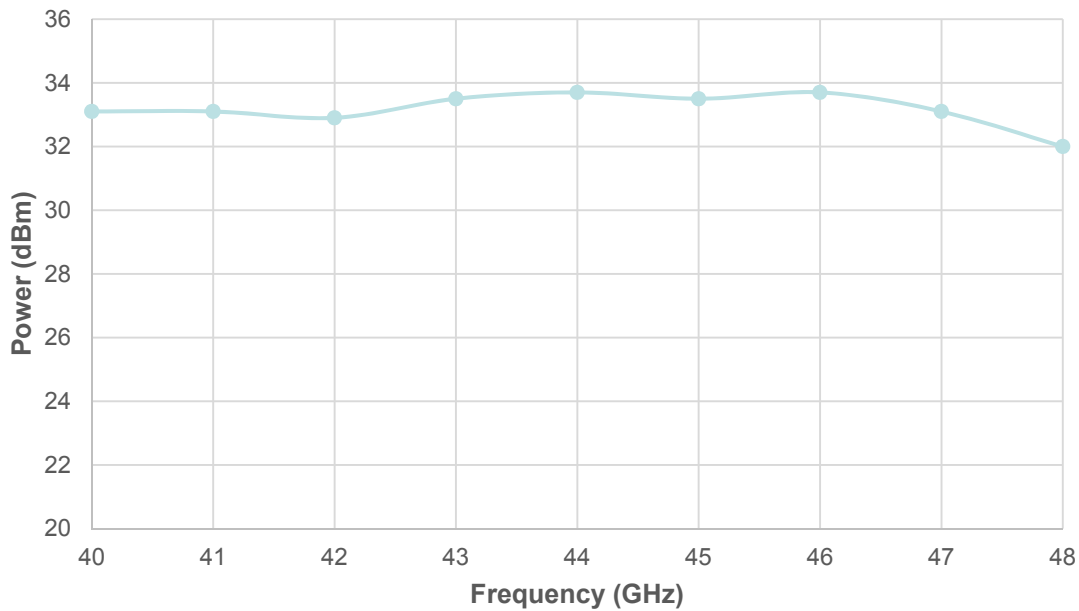
AC 110V/220V 2W Power Amplifier 39GHz~48GHz



P1dB



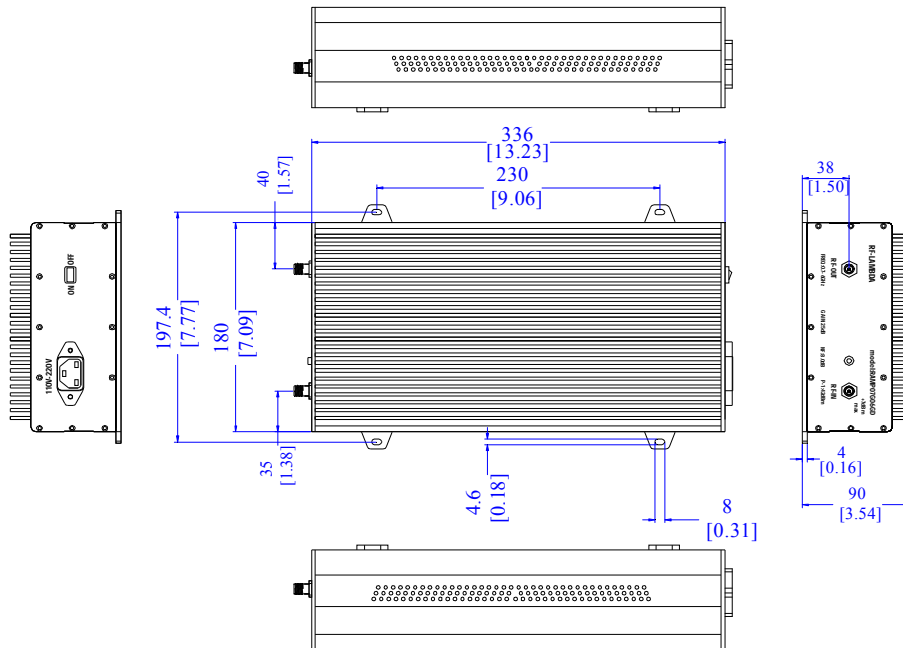
Psat





Outline Drawing:

All Dimensions in mm (inches)



Important Notice

The information contained herein is believed to be reliable. RF-Lambda makes no warranties regarding the information contained herein. RF-Lambda assumes no responsibility or liability whatsoever for any of the information contained herein. RF-Lambda assumes no responsibility or liability whatsoever for the use of the information contained herein. The information contained herein is provided "AS IS, WHERE IS" and with all faults, and the entire risk associated with such information is entirely with the user. All information contained herein is subject to change without notice. Customers should obtain and verify the latest relevant information before placing orders for RF-Lambda products. The information contained herein or any use of such information does not grant, explicitly or implicitly, to any party any patent rights, licenses, or any other intellectual property rights, whether with regard to such information itself or anything described by such information.

RF-Lambda products are not warranted or authorized for use as critical components in medical, life-saving, or life sustaining applications, or other applications where a failure would reasonably be expected to cause severe personal injury or death.

AC 110V/220V 2W Power Amplifier 41GHz~46GHz