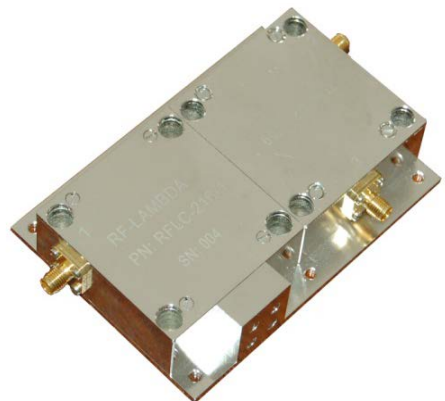
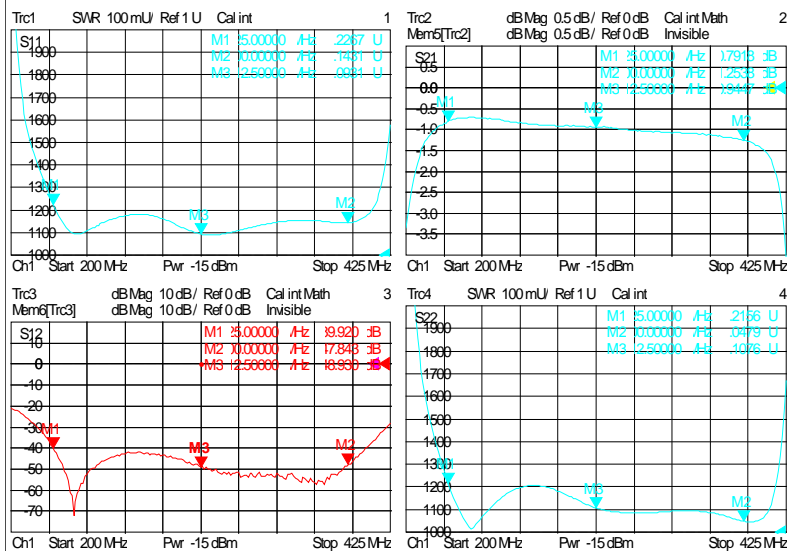
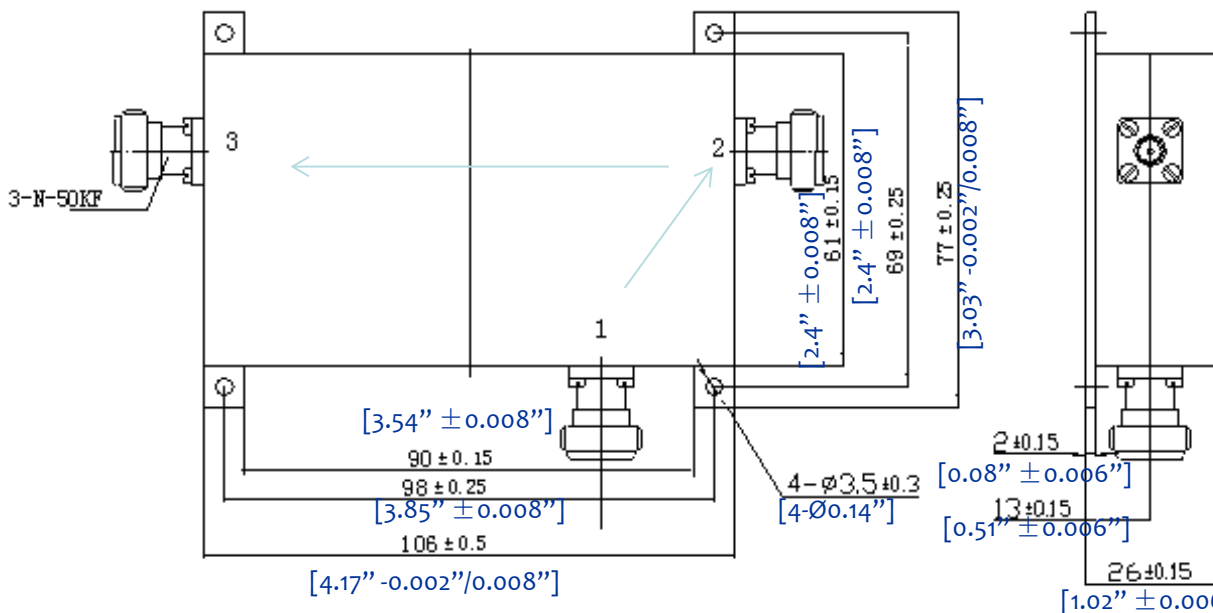


VHF DUAL JUNCTIONS CIRCULATOR--- RFLC-116-3



| 2.0 Environment specifications | |
|--------------------------------|--|
| 2.1 | Operation Temp. 0°C~+55°C |
| 2.2 | Storage Temp. -40°C~+100°C |
| 2.3 | Altitude 45000 ft |
| 2.4 | Vibration 10g rms (15 degree 2KHz) |
| 2.5 | Humidity 100% RH at 35c, 95%RH at 40 deg c |
| 2.6 | Shock 20G for 11msc |

| 1.0 Mechanical Specifications | |
|-------------------------------|--|
| 1.1 | Coaxial Connector N –F type |
| 1.2 | External Body Finish Nickle Plated |
| 1.3 | Rotation Clockwise / Counter-clockwise |

| PN | Center Frequency | Bandwidth | Insertion loss (dB) max | Isolation (dB) min | VSWR (max) | Power (W) CW |
|------------|------------------|-----------|-------------------------|--------------------|------------|--------------|
| RFLC-116-3 | 225-400MHz | Full | 1.6dB (max) | 36dB (min) | 1.35 | 100 |

PAGE 1 OF 1

DATE Jan 8th 2002

DESIGN RFFC

RF-LAMBDA RFFC

CAD MODEL REVISION 02

ASSEMBLY REVISION VS23

ASSEMBLY NAME RFLVR14

DRAWING NUMBER D05-12

www.rflambda.com

RF-LAMBDA SIZE LT SHEETS 1 OF 1