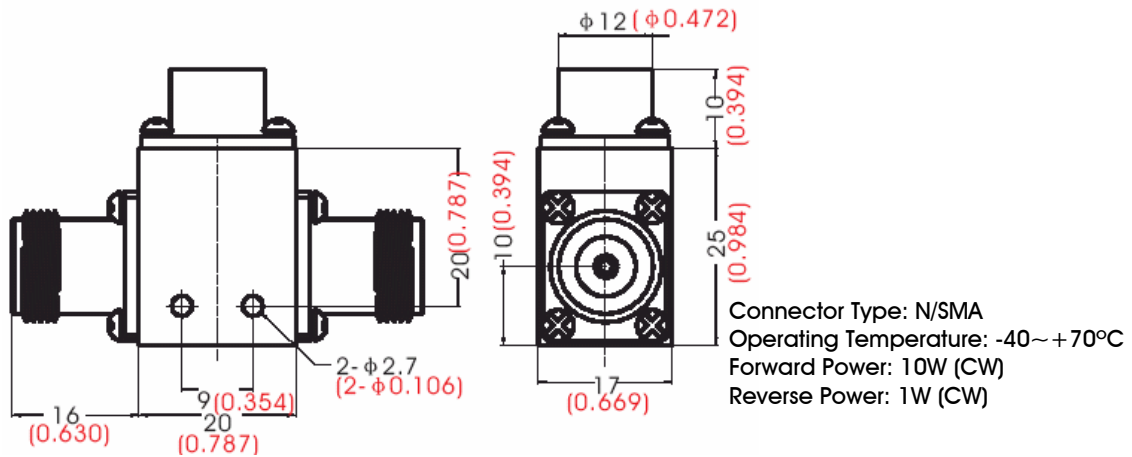


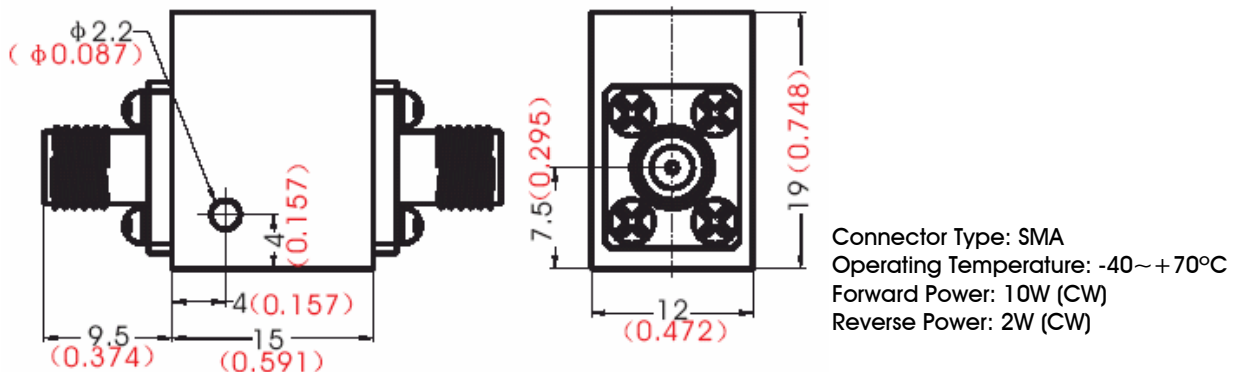


X Band Coaxial Isolator

RFLI-501					
Part Number	Frequency (GHz)	Bandwidth (MHz)	Insert. Loss (dB)	Isolation (dB)	VSWR
RFLI-501-1	8.0~14	200	0.3	25	1.15
RFLI-501-2		400	0.4	23	1.20
RFLI-501-3		800	0.5	20	1.25



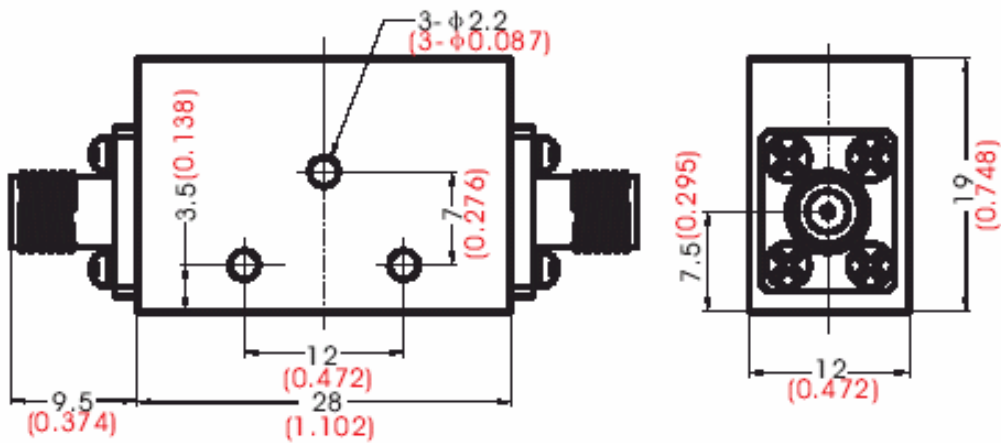
RFLI-502					
Part Number	Frequency (GHz)	Bandwidth (MHz)	Insert. Loss (dB)	Isolation (dB)	VSWR
RFLI-502-1	6.0~10	300	0.3	25	1.15
RFLI-502-2		600	0.4	23	1.20
RFLI-502-3		1000	0.5	20	1.25
RFLI-502-4		FULL	0.6	18	1.40





X Band Coaxial Isolator

RFLI-505					
Part Number	Frequency (GHz)	Bandwidth (MHz)	Insert. Loss (dB)	Isolation (dB)	VSWR
RFLI-505-1	7.0~10.0	300	0.6	50	1.15
RFLI-505-2		600	0.7	45	1.20
RFLI-505-3		1000	0.8	40	1.25



Connector Type: SMA
 Operating Temperature: -40~+70°C
 Forward Power: 10W (CW)
 Reverse Power: 2W (CW)