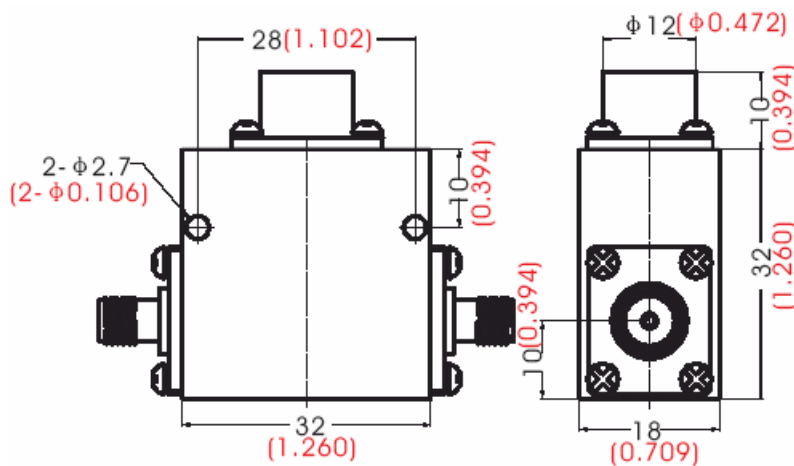


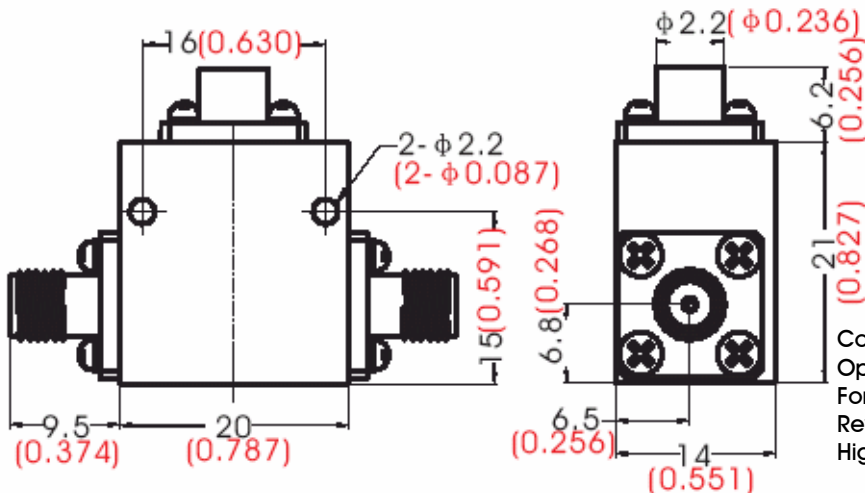


RFLI-301					
Part Number	Frequency (GHz)	Bandwidth (MHz)	Insert. Loss (dB)	Isolation (dB)	VSWR
RFLI-301-1	2.0~4.0	200	0.3	25	1.20
RFLI-301-2		600	0.4	23	1.25
RFLI-301-3		1000	0.4	20	1.25
RFLI-301-4		FULL	0.5	18	1.35



Connector Type: N/SMA  
 Operating Temperature: -40~+70°C  
 Forward Power: 10/100W(CW)  
 Reverse Power: 1W (CW)  
 Higher power unit available

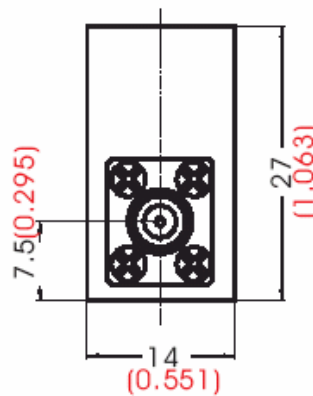
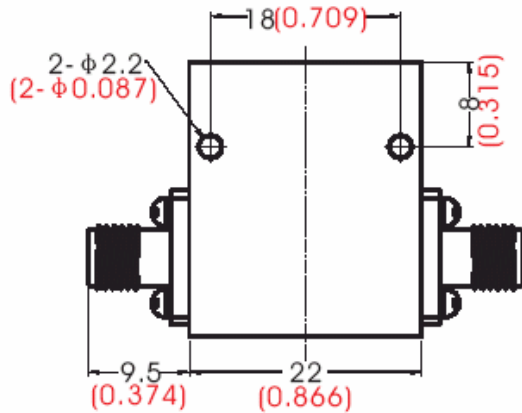
RFLI-303					
Part Number	Frequency (GHz)	Bandwidth (MHz)	Insert. Loss (dB)	Isolation (dB)	VSWR
RFLI-303-1	1.7~2.7	50	0.3	25	1.15
RFLI-303-2		100	0.4	23	1.20
RFLI-303-3		200	0.5	20	1.25



Connector Type: N/SMA  
 Operating Temperature: -55~+85°C  
 Forward Power: 10W(CW)  
 Reverse Power: 1W (CW)  
 Higher power unit available

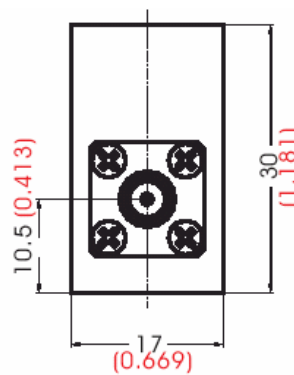
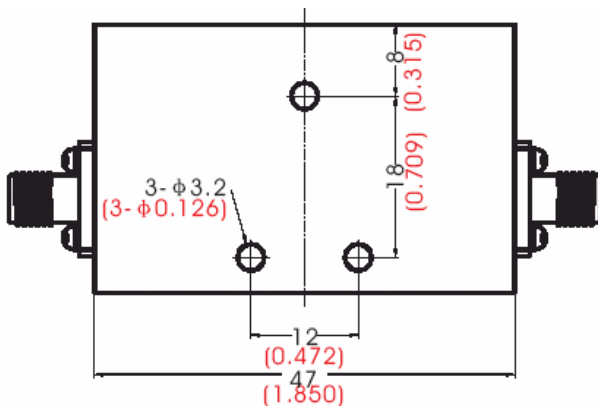


RFLI-305					
Part Number	Frequency (GHz)	Bandwidth (MHz)	Insert. Loss (dB)	Isolation (dB)	VSWR
RFLI-305-1	2.0~4.0	200	0.3	25	1.15
RFLI-305-2		400	0.4	23	1.20



Connector Type: SMA  
 Operating Temperature: -40~+70°C  
 Forward Power: 10/30W (CW)  
 Reverse Power: 2W (CW)  
 Higher power unit available

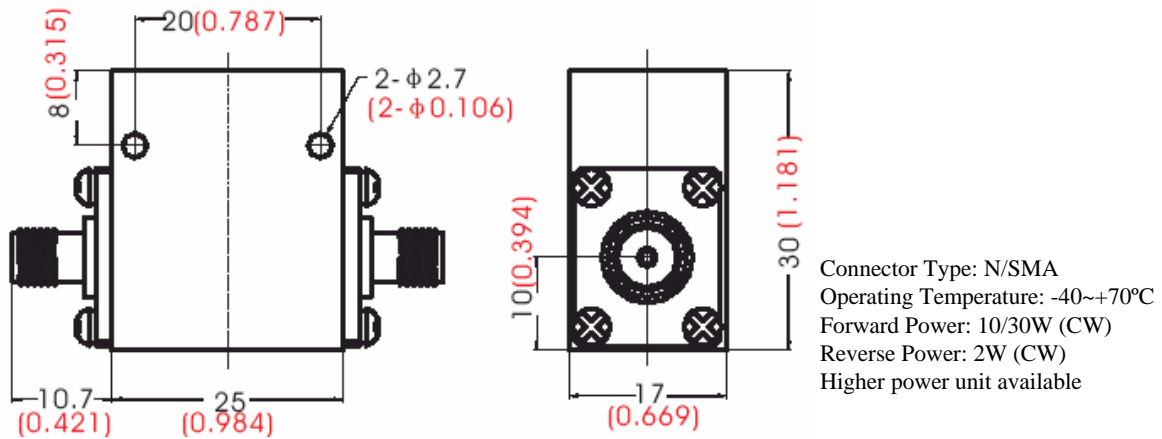
RFLI-308					
Part Number	Frequency (GHz)	Bandwidth (MHz)	Insert. Loss (dB)	Isolation (dB)	VSWR
RFLI-308-1	2.5~4.0	100	0.5	50	1.15
RFLI-308-2		200	0.6	45	1.20
RFLI-308-3		400	0.8	40	1.25



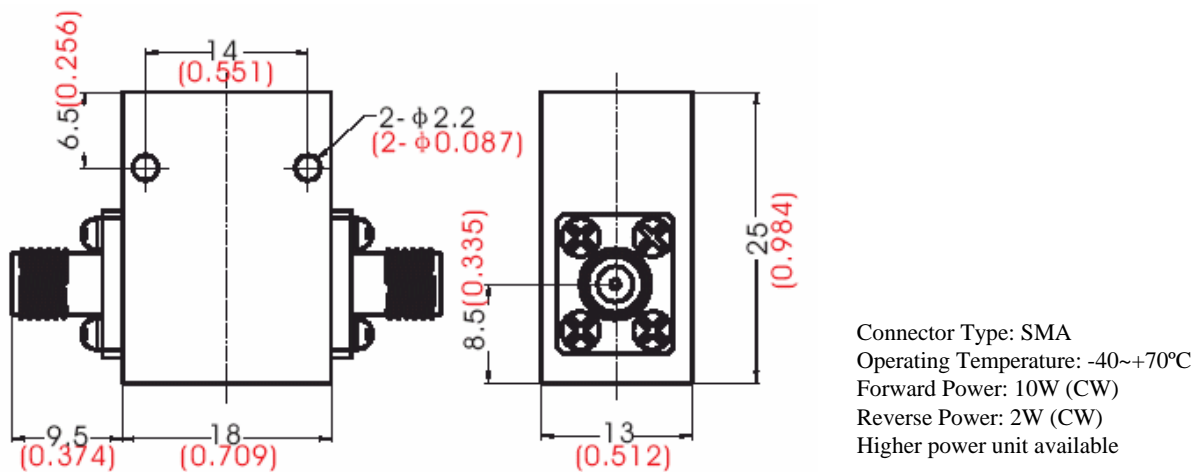
Connector Type: SMA  
 Operating Temperature: -40~+70°C  
 Forward Power: 10W (CW)  
 Reverse Power: 2W (CW)  
 Higher power unit available



RFLI-309					
Part Number	Frequency (GHz)	Bandwidth (MHz)	Insert. Loss (dB)	Isolation (dB)	VSWR
RFLI-309-1	2.5~4.0	400	0.3	23	1.20
RFLI-309-2		800	0.4	20	1.25

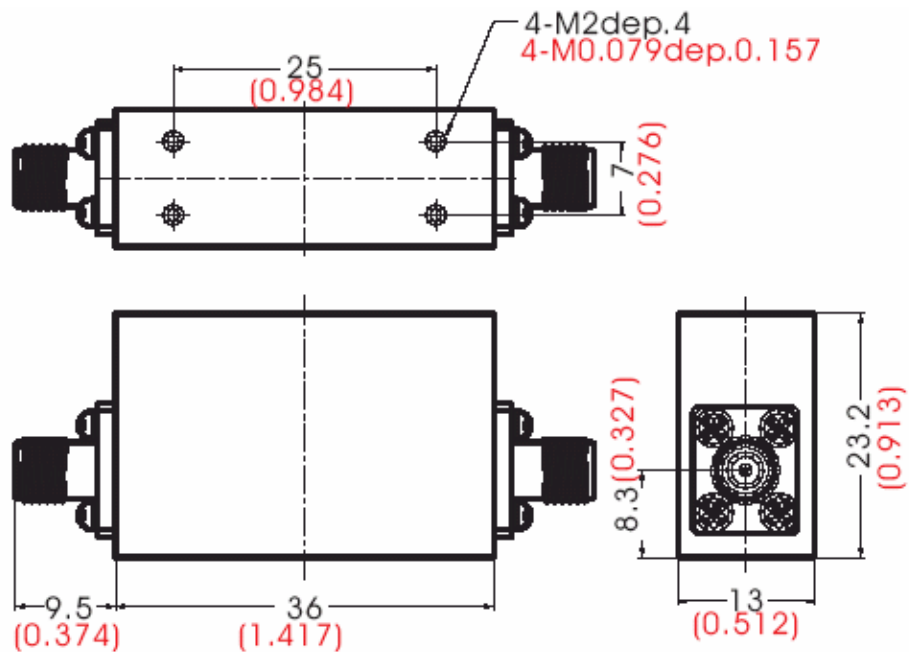


RFLI-313					
Part Number	Frequency (GHz)	Bandwidth (MHz)	Insert. Loss (dB)	Isolation (dB)	VSWR
RFLI-313-1	2.5~4.0	100	0.3	25	1.15
RFLI-313-2		200	0.4	23	1.20
RFLI-313-3		300	0.5	20	1.25





RFLI-318					
Part Number	Frequency (GHz)	Bandwidth (MHz)	Insert. Loss (dB)	Isolation (dB)	VSWR
RFLI-318-1	3~4	50	0.5	50	1.15
RFLI-318-2		200	0.7	45	1.20
RFLI-318-3		400	0.8	40	1.25



Connector Type: SMA  
 Operating Temperature: -40~+70°C  
 Forward Power: 10W (CW)  
 Reverse Power: 2W (CW)  
 Higher power unit available

S Band 1.7~4.2GHz Coaxial Isolator