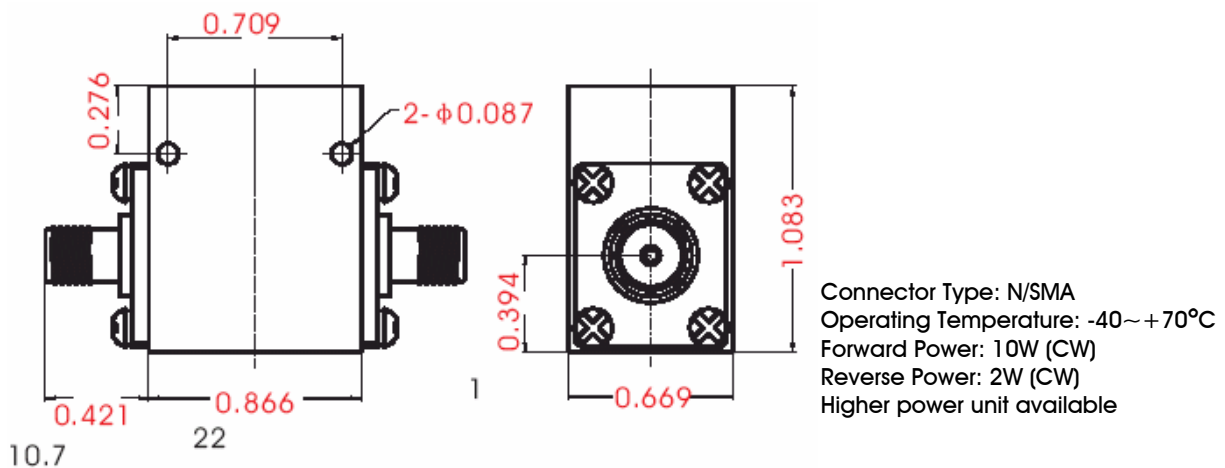
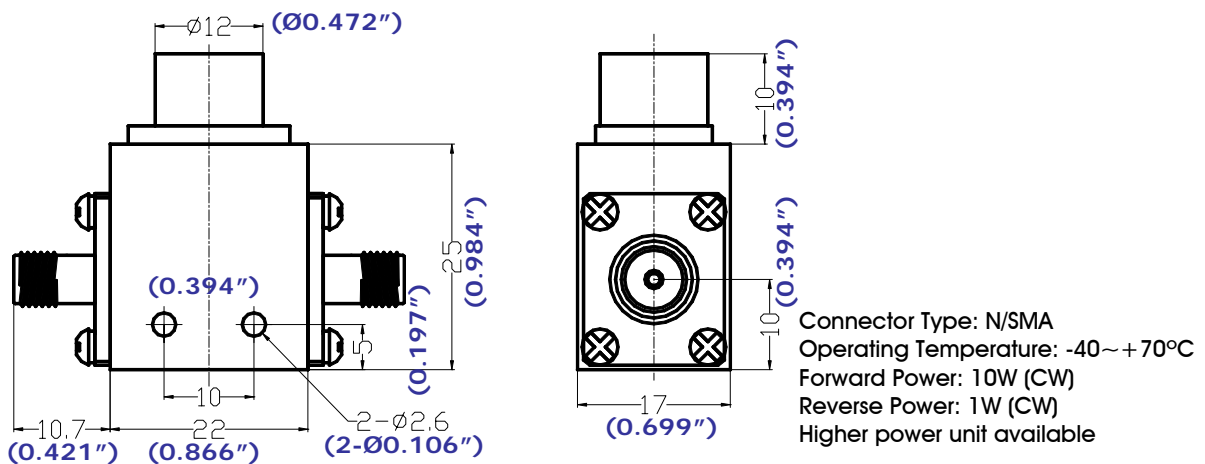




RFLI-401					
Part Number	Frequency (GHz)	Bandwidth (MHz)	Insert. Loss (dB)	Isolation (dB)	VSWR
RFLI-401-1	3.0~6.0	400	0.3	25	1.15
RFLI-401-2		600	0.4	23	1.20
RFLI-401-3		1000	0.5	20	1.25

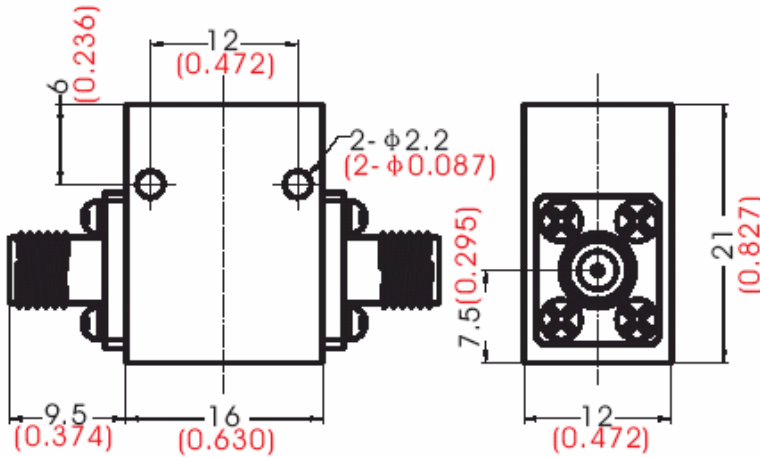


RFLI-402					
Part Number	Frequency (GHz)	Bandwidth (MHz)	Insert. Loss (dB)	Isolation (dB)	VSWR
RFLI-402-1	3.0~8.0	400	0.3	25	1.15
RFLI-402-2		800	0.4	23	1.20
RFLI-402-3		2000	0.5	20	1.25
RFLI-402-4	4.0~8.0	FULL	0.5	19	1.35



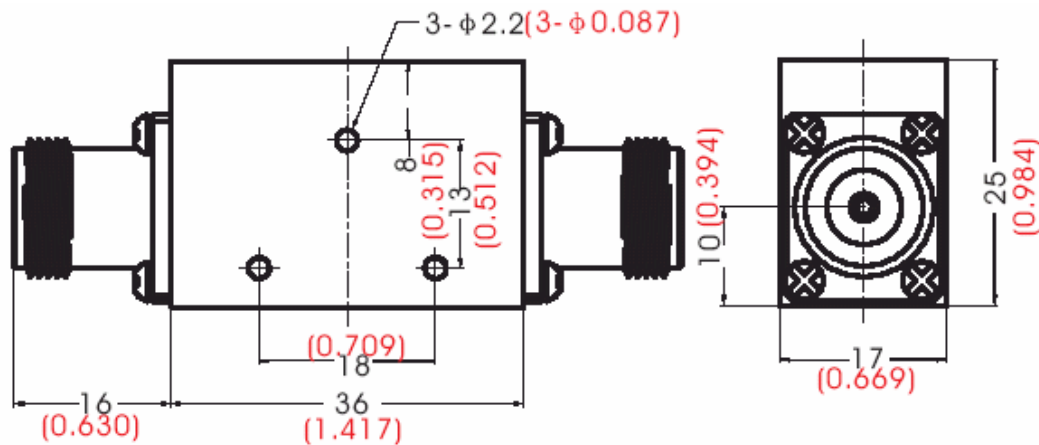


RFLI-403					
Part Number	Frequency (GHz)	Bandwidth (MHz)	Insert. Loss (dB)	Isolation (dB)	VSWR
RFLI-403-1	3.7~6.5	300	0.25	25	1.15
RFLI-403-2		600	0.3	23	1.20



Connector Type: SMA
 Operating Temperature: -40~+85°C
 Forward Power: 10W (CW)
 Reverse Power: 2W (CW)
 Higher power unit available

RFLI-406					
Part Number	Frequency (GHz)	Bandwidth (MHz)	Insert. Loss (dB)	Isolation (dB)	VSWR
RFLI-406-1	4.0~8.0	300	0.6	50	1.15
RFLI-406-2		600	0.8	45	1.20
RFLI-406-3		1000	1	40	1.25



Connector Type: N/SMA
 Operating Temperature: -40~+70°C
 Forward Power: 10W (CW)
 Reverse Power: 2W (CW)
 Higher power unit available